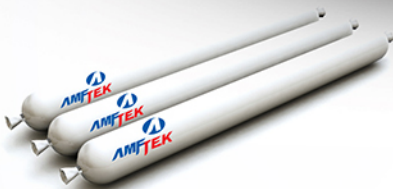


ALX-S

New Conception of
Explosives Packaging Machine



All images in this folder are merely illustrative



SECURE PACKAGING TECHNOLOGY

CHUB PACKAGING MACHINE

Adding Flexibility and Efficiency for your production.
For a perfect continuous, filling, Sealing and clipping.



ABOUT US

With over 10 years of experience, the AMFTEK has developing many projects related to several industry sectors in brazil and abroad. Our company is able to develop electric projects, softwares and supervision for your production line. We develop automatic packaging machines for your necessity, do the start up and train your qualify staff. Market and continuous tendence up date has improved our knowledge and technological tools. This evolution has been transmited through our services and product to all continents.

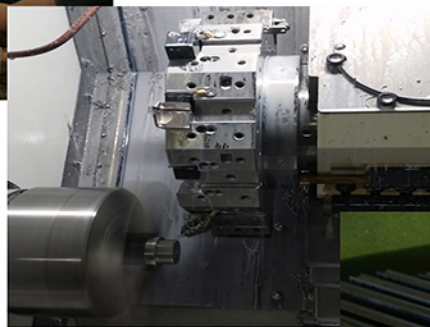


Graphic Computer



High technologies

New Machinery



Spare parts Support



MACHINES IN VARIOUS PLACES IN THE WORLD

Our mission is transmit security and dynamism for your production line



AMERICA



OCEANIA



ASIA



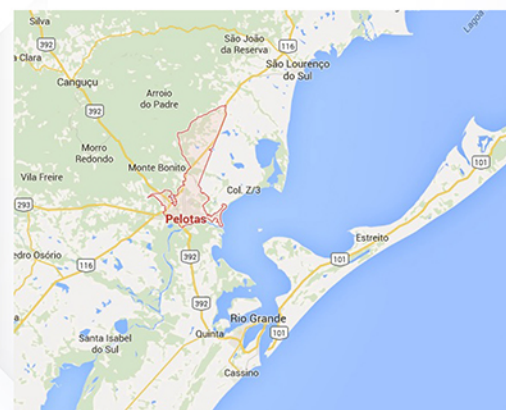
EUROPE



AFRICA

Localization

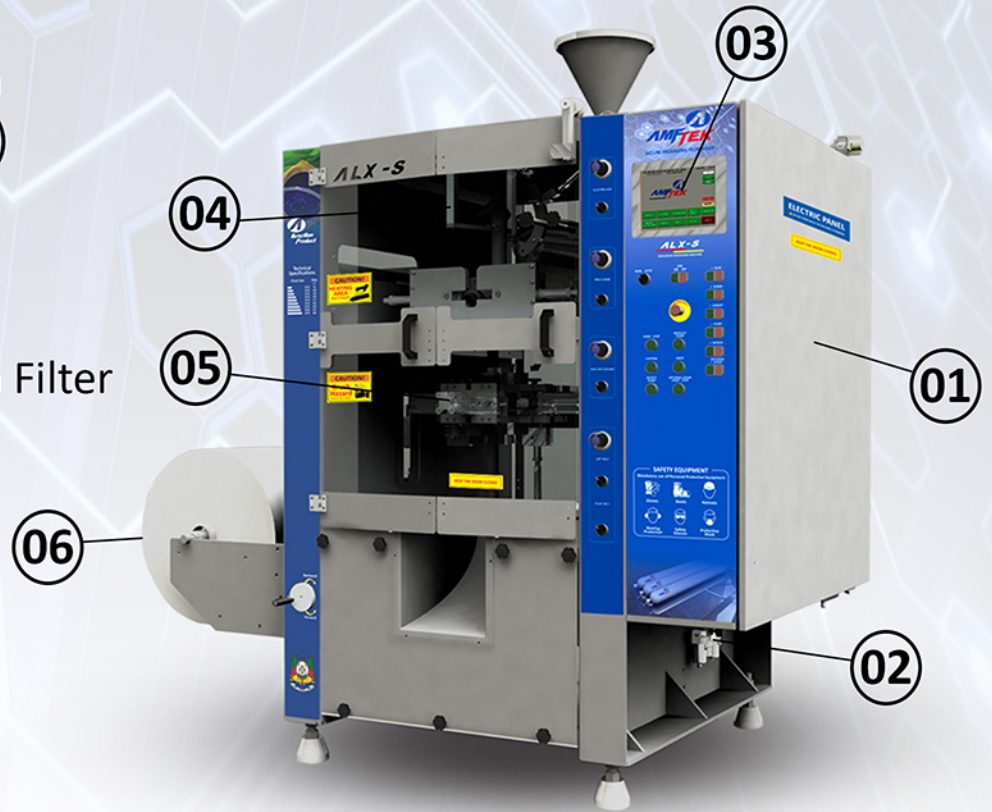
Located in southern Brazil, our factory has high-tech machinery and professionals dedicated to give the best service and support to our customers. Pay a visit to our facilities!



PARTS OF MACHINE

Below are the main parts of our machine

- 01 - Electric Panel
- 02 - Pneumatic System
- 03 - Control Panel (IHM)
- 04 - Mandril
- 05 - Clipping Table
- 06 - Unwinding
- 07 - Pneumatic System Filter
- 08 - Oil Lubrifill System
- 09 - Electric Input
- 10 - Air Inlet
- 11 - Water Inlet
- 12 - Funil
- 13 - Wire Roll
- 14 - Estruder

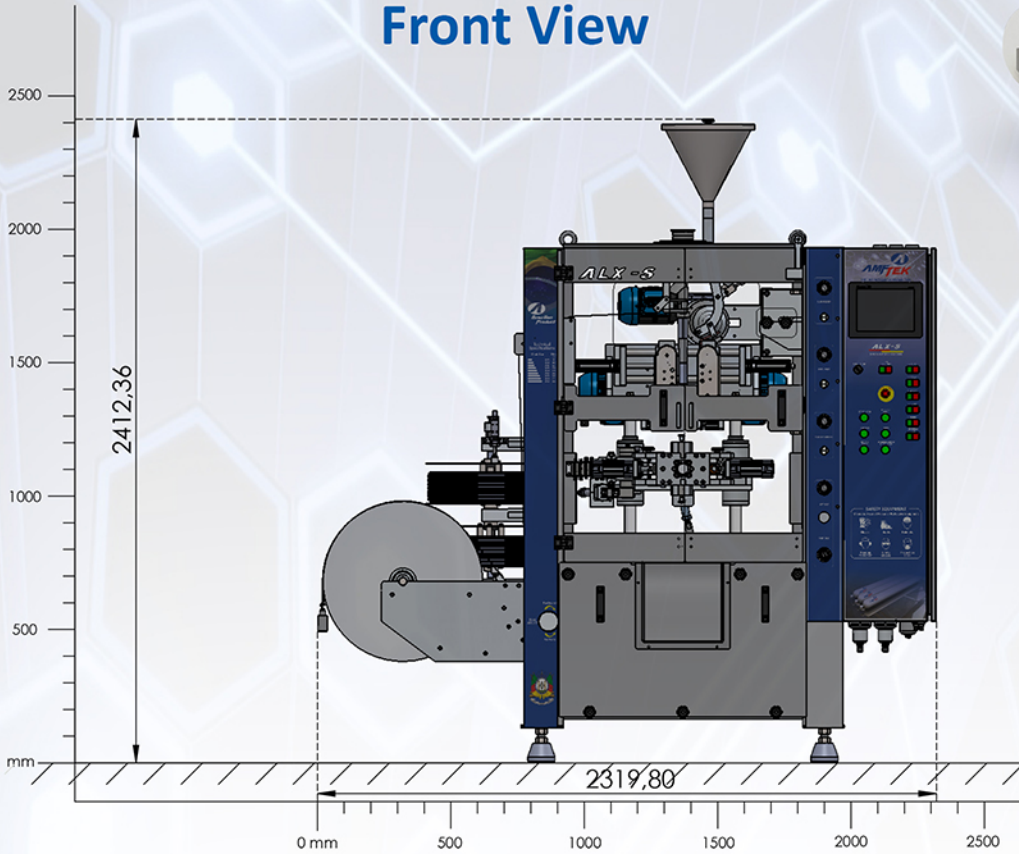


DIMENSIONS OF MACHINE

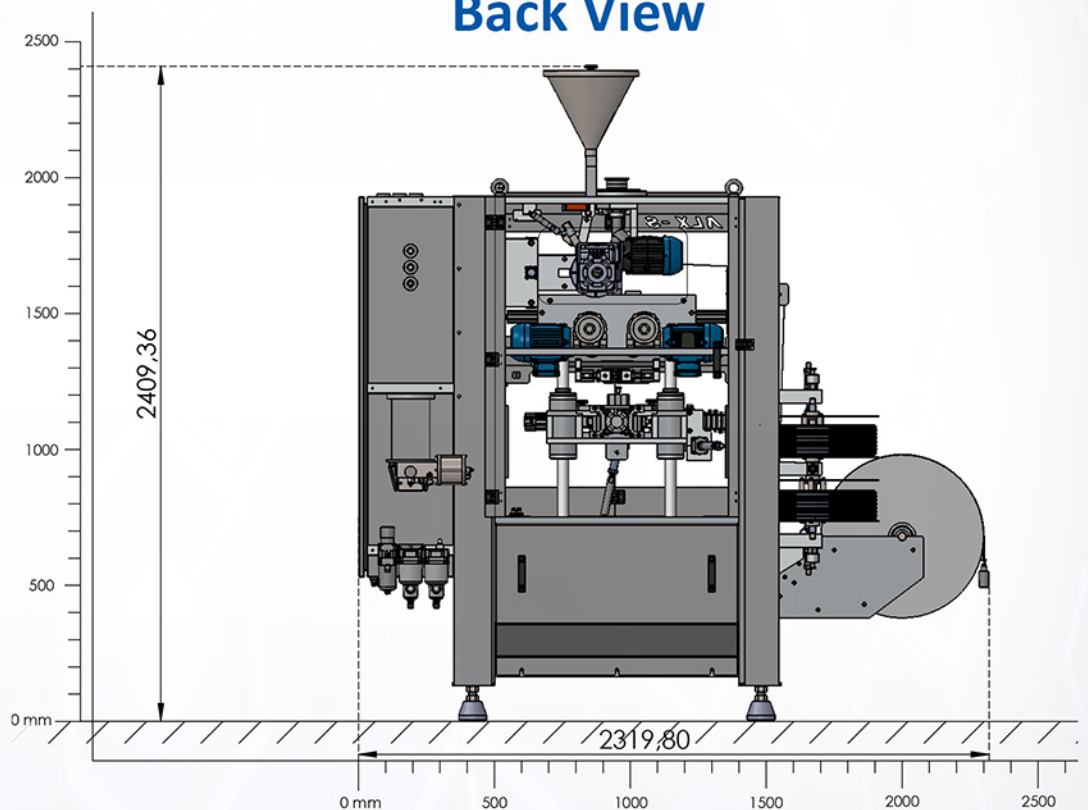
Below are the dimensions of our machine



Front View



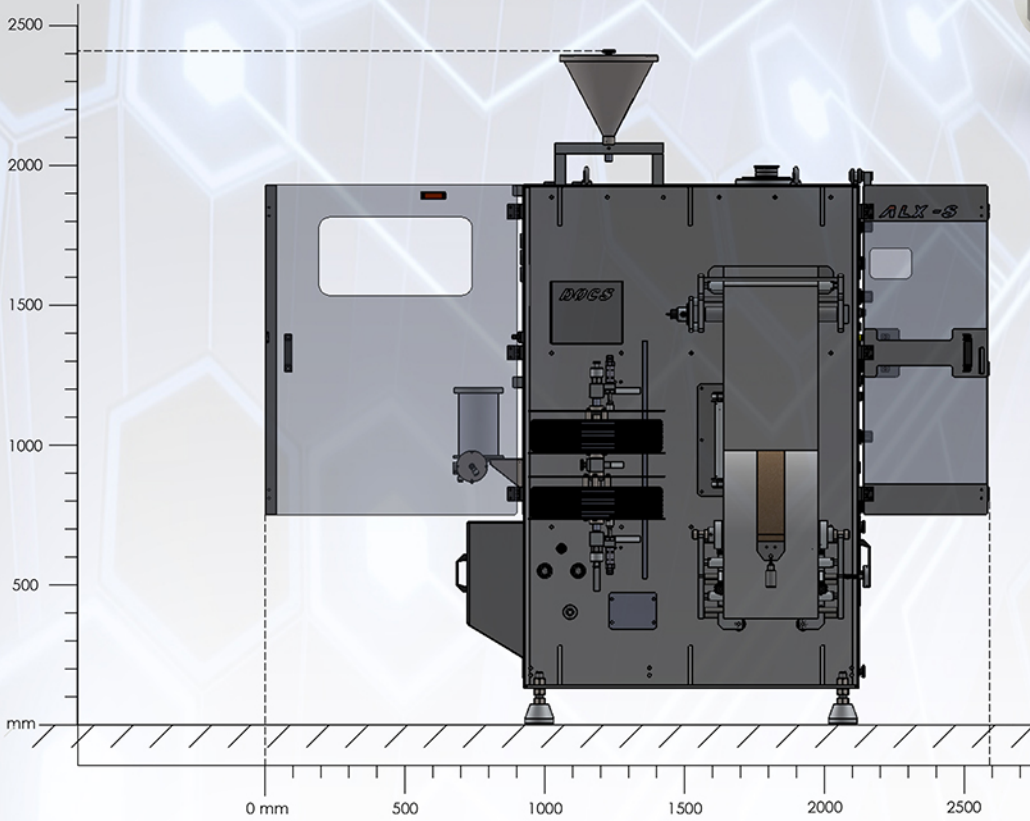
Back View



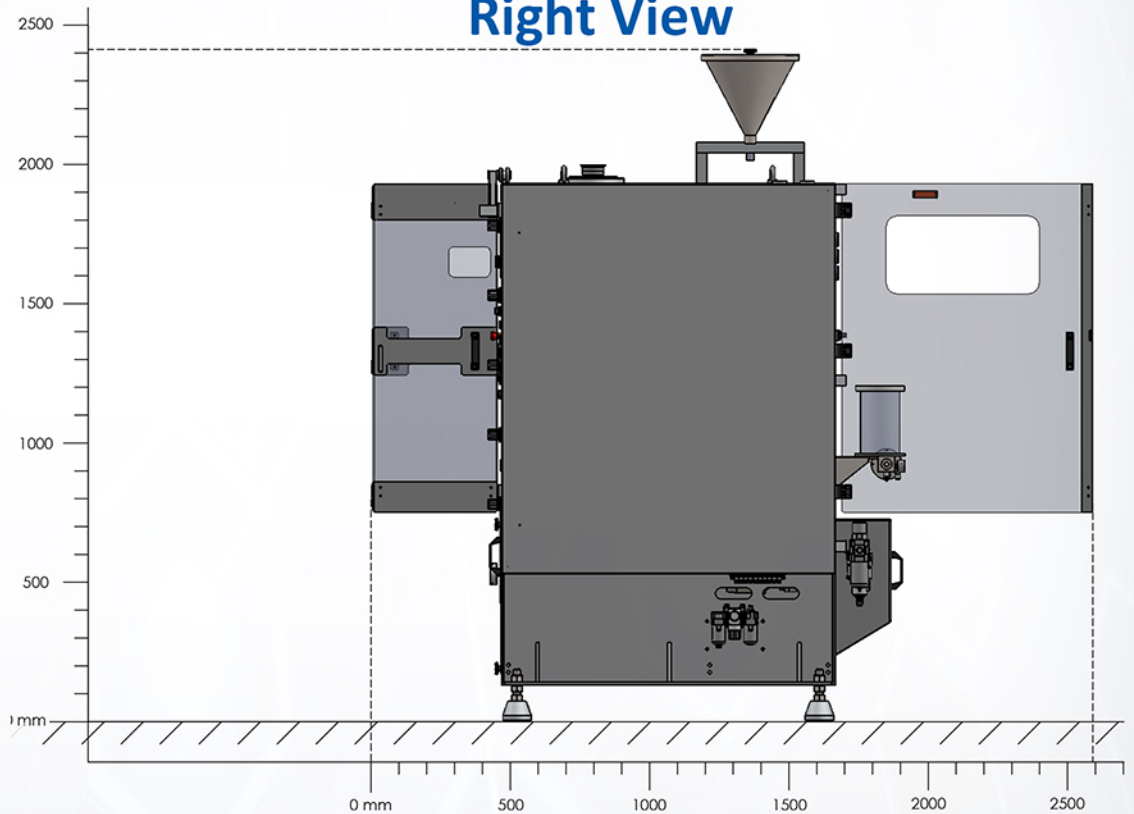
DIMENSIONS OF MACHINE

Below are the dimensions of our machine

Left View



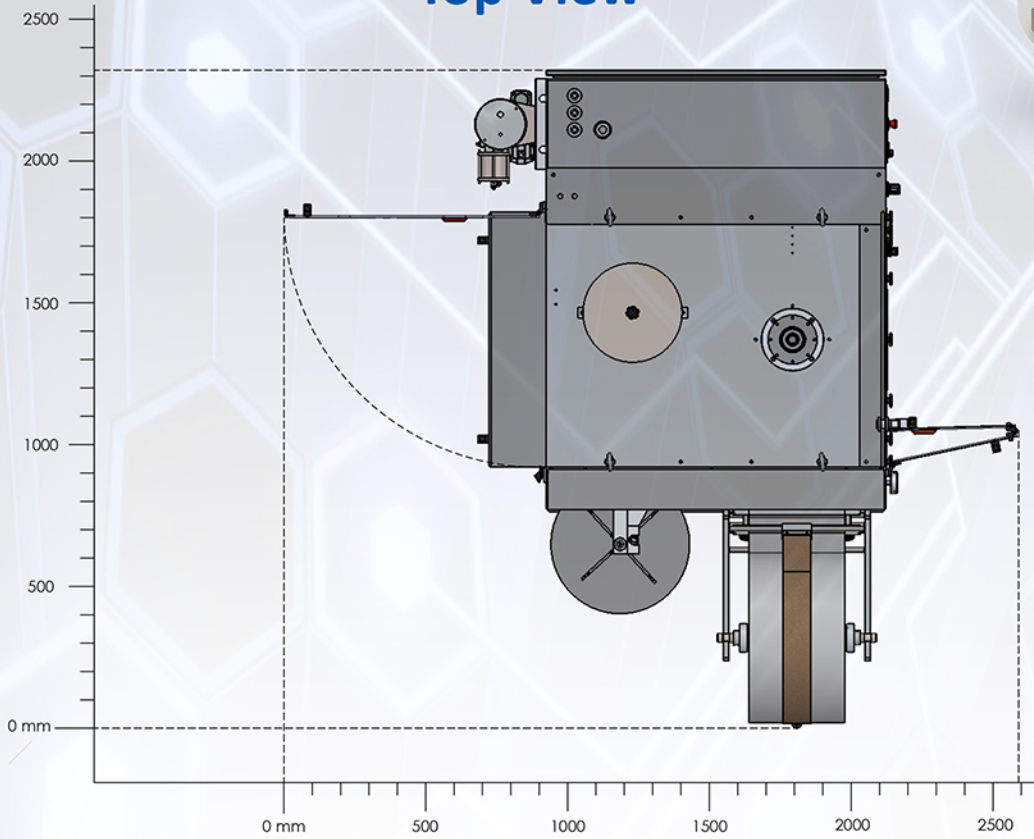
Right View



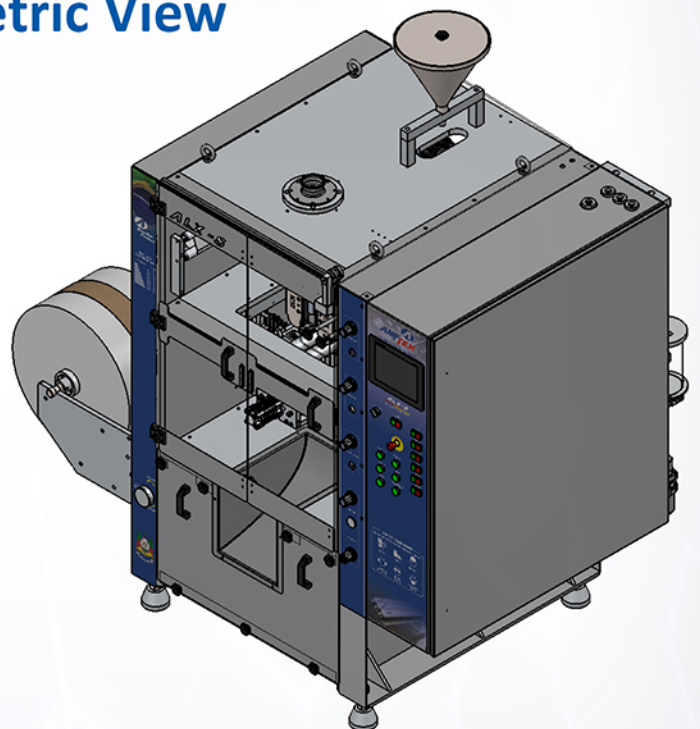
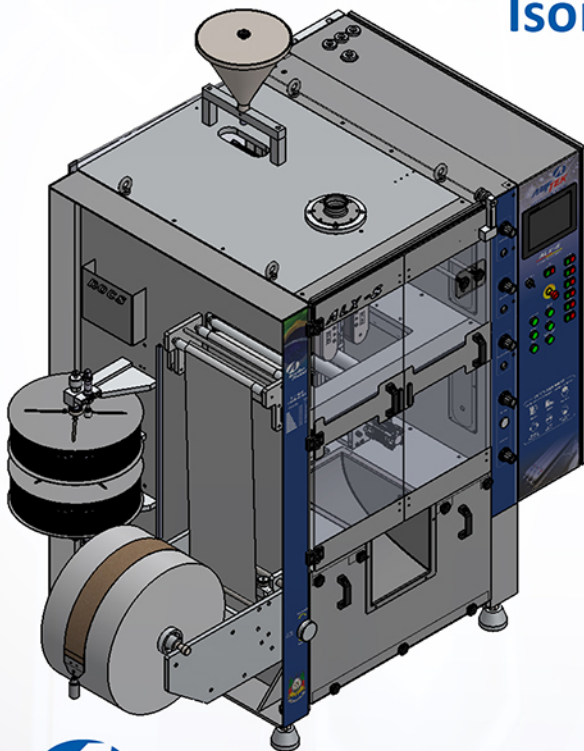
DIMENSIONS OF MACHINE

Below are the dimensions of our machine

Top View



Isometric View



Thanks a lot!!

Thank you for purchasing our products and believe that we can meet their production needs. We wished could strengthen our partnership and develop a quality material and a suitable support.



Av. Fernando Osório, 957, Três Vendas
Pelotas - Rio Grande do Sul - Brasil ZIP Code: 96055-000
Phones: (+55 53) 3223-1622
amftek@amftek.com.br
www.amftek.com.br

**All images in this folder are merely illustrative
All reported data may be adjusted as new developments
made and studied by the technical team**

©Amftek - All rights reserved